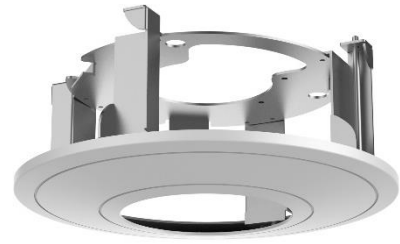


DS-1227ZJ-DM32

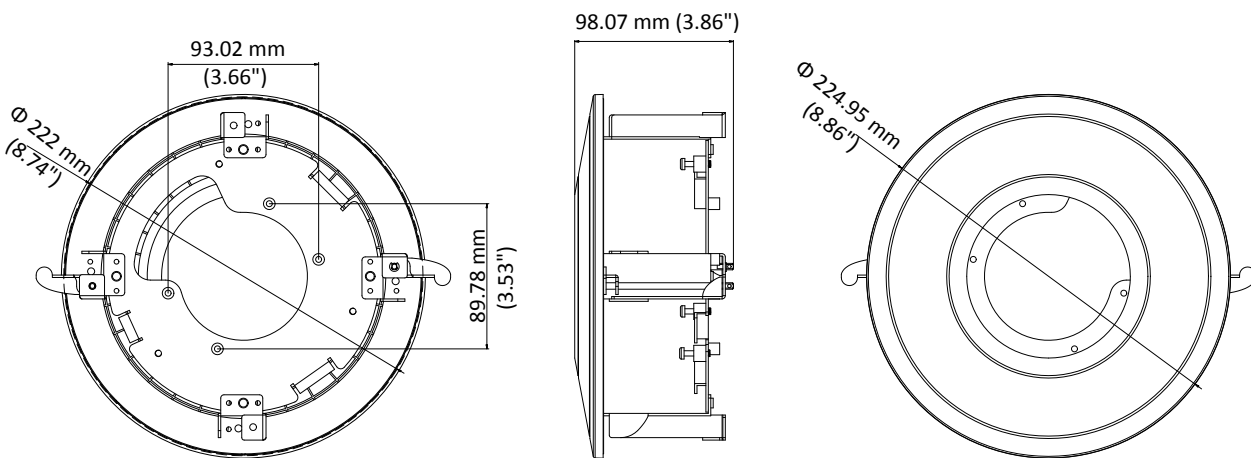
In-Ceiling Mounting Bracket for Dome Camera



Features

- Steel and plastic material with surface spray treatment
- Magnetic design facilitates dome camera installation
- In-ceiling mounting saves installation space

Dimension



* $\Phi 222 \text{ mm}$ ($\Phi 8.86''$) is the diameter for the cable hole on the ceiling.

Available Model

DS-1227ZJ-DM32

Parameters

Model	DS-1227ZJ-DM32
Parameters	In-Ceiling Mounting Bracket for Dome Camera
Appearance	Hikvision White
Material	Steel and Plastic
Dimension	$\Phi 224.95 \text{ mm} \times 98.07 \text{ mm}$ ($\Phi 8.86'' \times 3.86''$)
Weight	660 g (1.46 lb.)

Notes

- The bracket should be installed on the flat ceiling.
- The ceiling must be capable of supporting over 3 times as much as the total weight of the camera and the bracket.
- The bracket's maximum load capacity is 3 Kg (6.6 lb.).